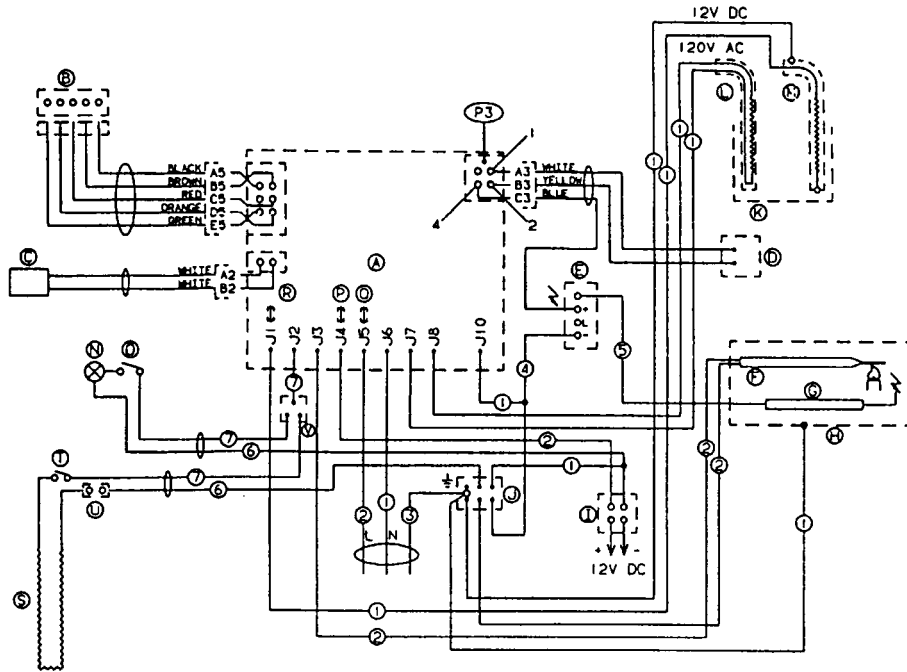


3-WAY WIRING DIAGRAM (Product No. 921602501, 921602601)



- (A) CIRCUIT BOARD POWER
- (B) CIRCUIT BOARD DISPLAY
- (C) THERMISTOR
- (D) GAS VALVE
- (E) REIGNITER
- (F) THERMOCOUPLE
- (G) ELECTRODE
- (H) RETAINER FOR BURNER
- (I) TERMINAL BLOCK
- (J) TERMINAL STRIP
- (K) ABSORPTION UNIT
- (L) HEATER 120V AC
- (M) HEATER 12V DC
- (N) LIGHT
- (O) SWITCH
- (P) FUSE 3A
- (Q) FUSE 5A
- (R) FUSE 35A
- (S) HEATING CABLE
- (T) SWITCH
- (U) TERMINAL BLOCK
- (V) TERMINAL BLOCK

- (1) WHITE
- (2) BLACK
- (3) GREEN
- (4) GREEN/YELLOW
- (5) GREY
- (6) BROWN
- (7) BLUE