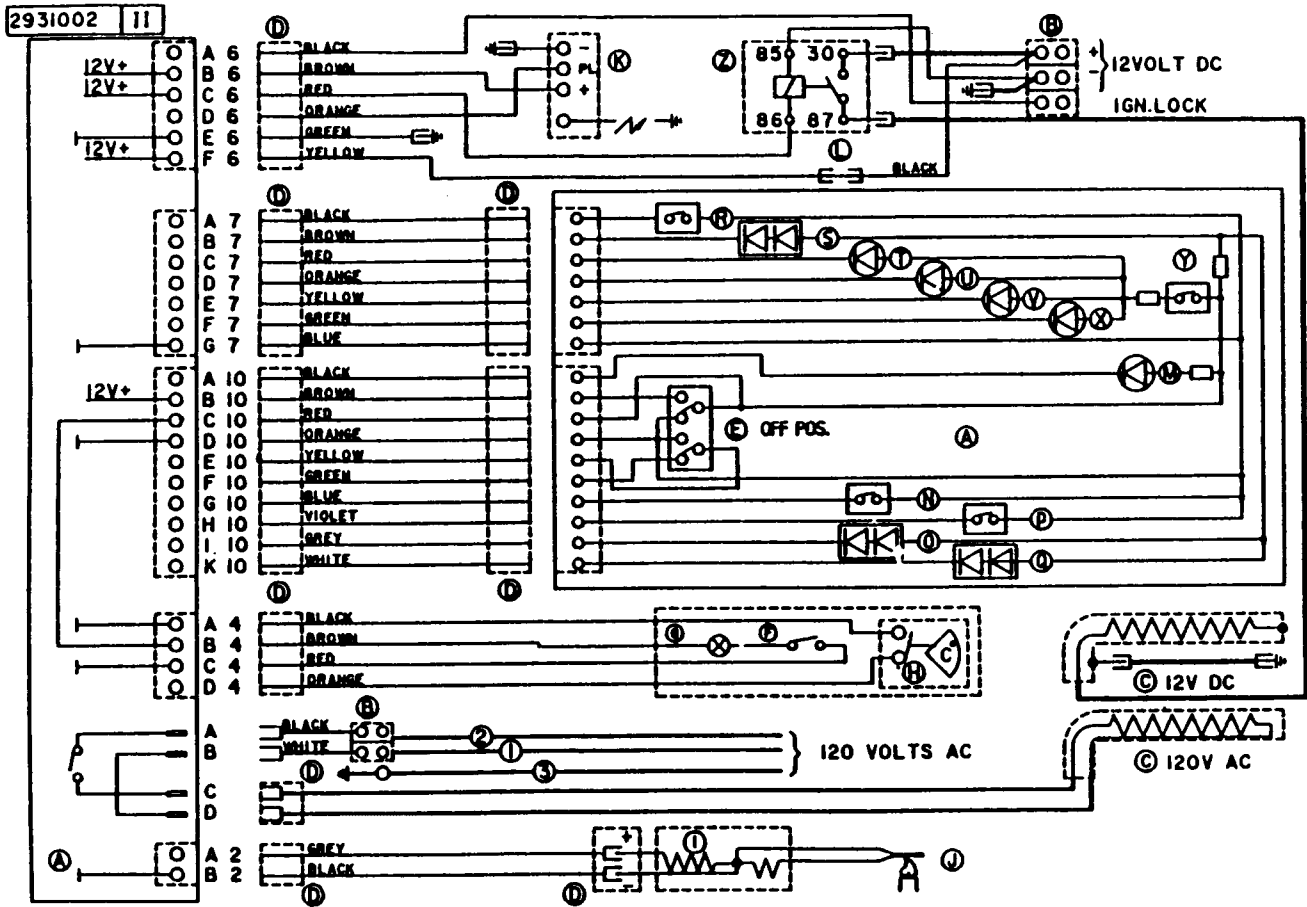


MODEL RM 3801



- (A) CIRCUIT BOARD
- (B) TERMINAL BLOCK
- (C) HEATER
- (D) CONNECTOR
- (E) MAIN SWITCH
- (F) DOOR SWITCH
- (G) LIGHT
- (H) THERMOSTAT
- (I) GAS VALVE COIL
- (J) THERMOCOUPLE
- (K) REIGNITER
- (L) TIME FUSE 3-3.15 AMP
- (M) GAS FLAME WARN.LAMP
- (N) AC/GAS FUNCTION SWITCH
- (O) AC/GAS FUNCTION LAMP
- (P) GAS FUNCTION SWITCH
- (Q) GAS FUNCTION LAMP
- (R) AES FUNCTION SWITCH
- (S) AES FUNCTION LAMP
- (T) 120V AC MODE LAMP
- (U) 12V DC MODE LAMP
- (V) DELAY MODE LAMP
- (X) GAS MODE LAMP
- (Y) MODE SWITCH
- (Z) RELAY

- (1) WHITE
- (2) BLACK
- (3) GREEN
- AWG 13 AREA
- . 18 .
- . 24 .