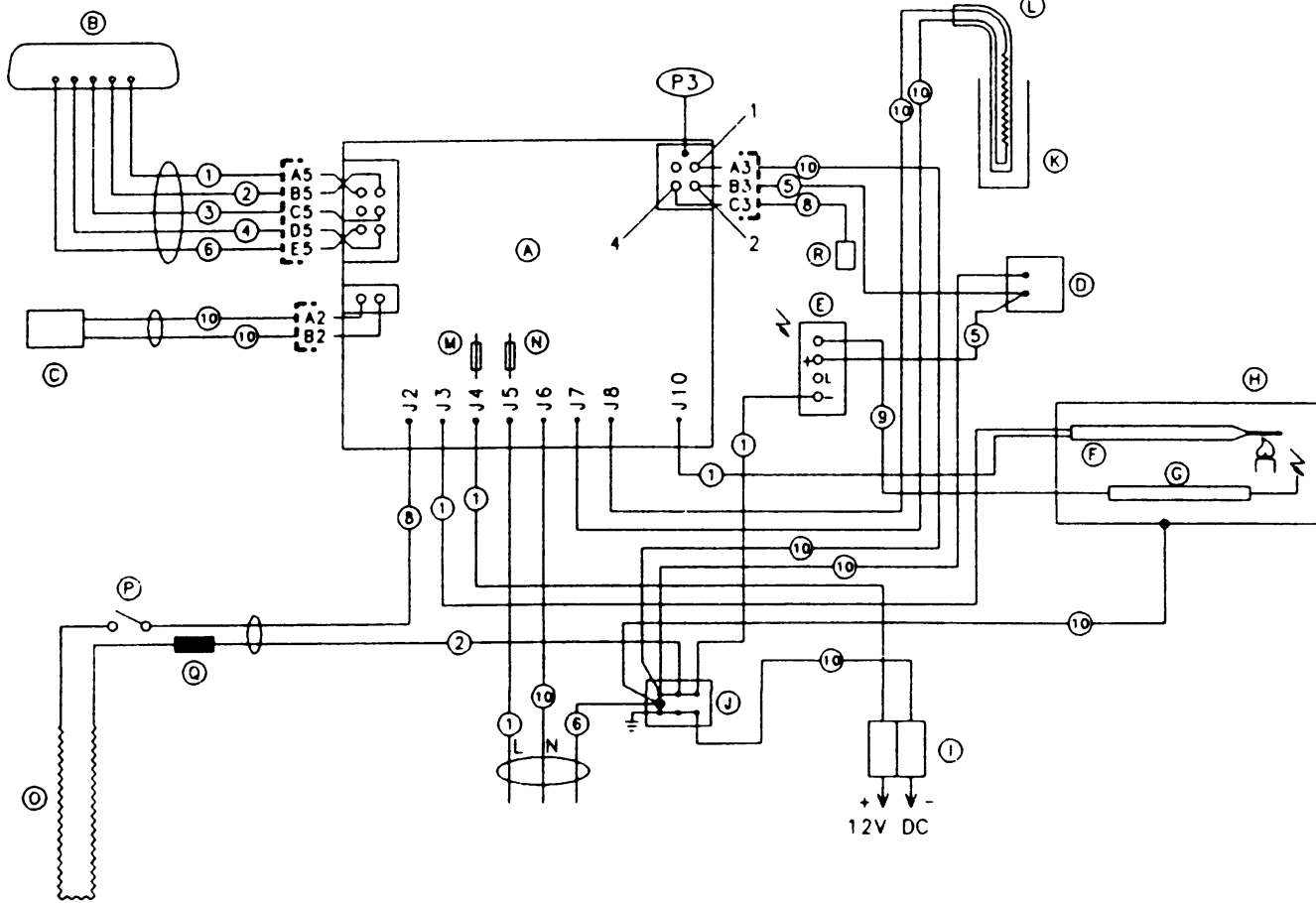


120 VOLTS AC



- (A) — CIRCUIT BOARD POWER
- (B) — CIRCUIT BOARD DISPLAY
- (C) — THERMISTOR
- (D) — SOLENOID VALVE
- (E) — REIGNITER
- (F) — THERMOCOUPLE
- (G) — ELECTRODE
- (H) — RETAINER FOR BURNER
- (I) — TERMINAL BLOCK
- (J) — TERMINAL STRIP, GROUND
- (K) — ABSORPTION UNIT
- (L) — HEATER 120V AC
- (M) — FUSE 3A
- (N) — FUSE 5A
- (O) — HEATING CABLE
- (P) — SWITCH
- (Q) — TERMINAL BLOCK
- (R) — TEST POINT

- (1) — BLACK
- (2) — BROWN
- (3) — RED
- (4) — ORANGE
- (5) — YELLOW
- (6) — GREEN
- (7) — GREEN/YELLOW
- (8) — BLUE
- (9) — GREY
- (10) — WHITE