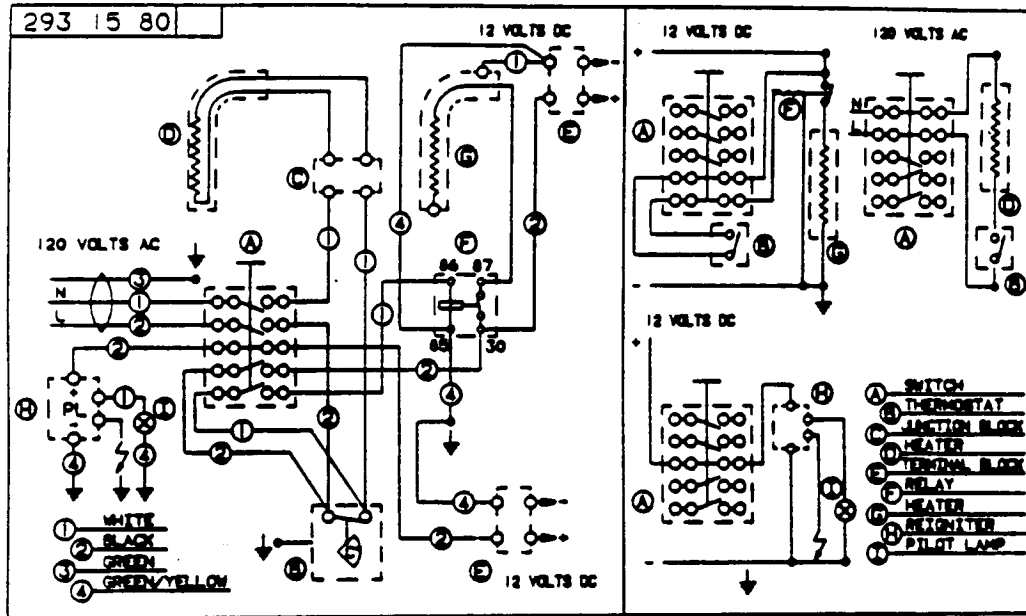
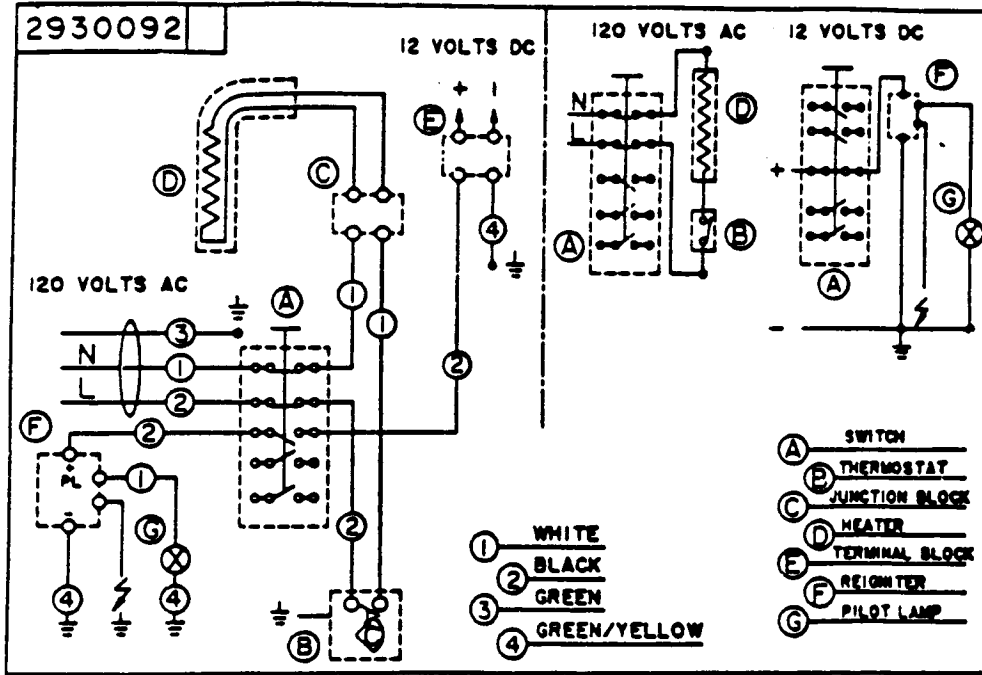


MODEL RM2810 WIRING DIAGRAMS



PRODUCT NO.	MODEL	MARKET	VOLTAGE	WIRING DIAGRAM
921970101	RM2810	US, CA	120 V	2930092-00
921970201	RM2810	US, CA	12V, 220V	2931580-00