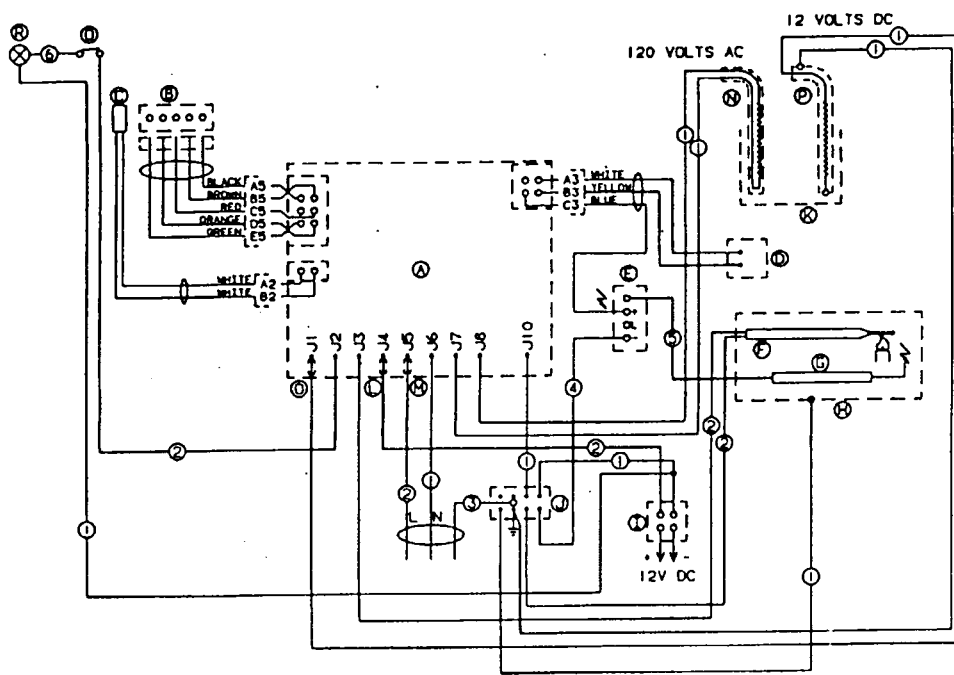


WIRING DIAGRAM (Product No. 921590701, 921591501)



- Ⓐ Circuit Board Power
  - Ⓑ Circuit Board Display
  - Ⓒ Thermistor
  - Ⓓ Gas Valve
  - Ⓔ Reigniter
  - Ⓕ Thermocouple
  - Ⓖ Electrode
  - Ⓗ Retainer for Burner
  - Ⓙ Terminal Block
  - Ⓚ Terminal Strip
  - Ⓛ Absorption Unit
  - Ⓜ Fuse 3A
  - Ⓝ Fuse 5A
  - Ⓟ Heater 120V AC
  - Ⓠ Fuse 35A
  - Ⓡ Heater 12V DC
  - Ⓢ Switch
  - Ⓣ Light
- 
- ① White
  - ② Black
  - ③ Green
  - ④ Green / Yellow
  - ⑤ Gray
  - ⑥ Brown