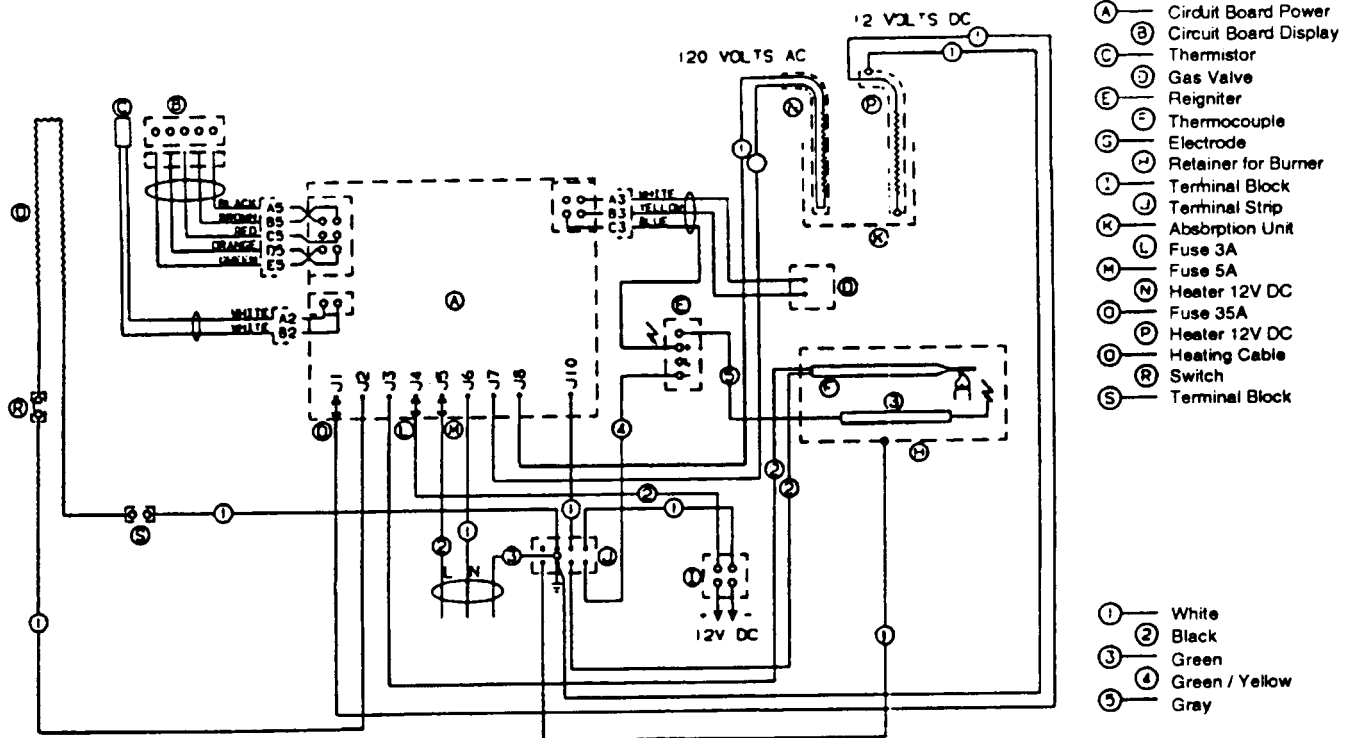


WIRING DIAGRAM (Product No. 921571401 & 921572201)



WIRING DIAGRAM (Product No. 921572601 & 921572701)

