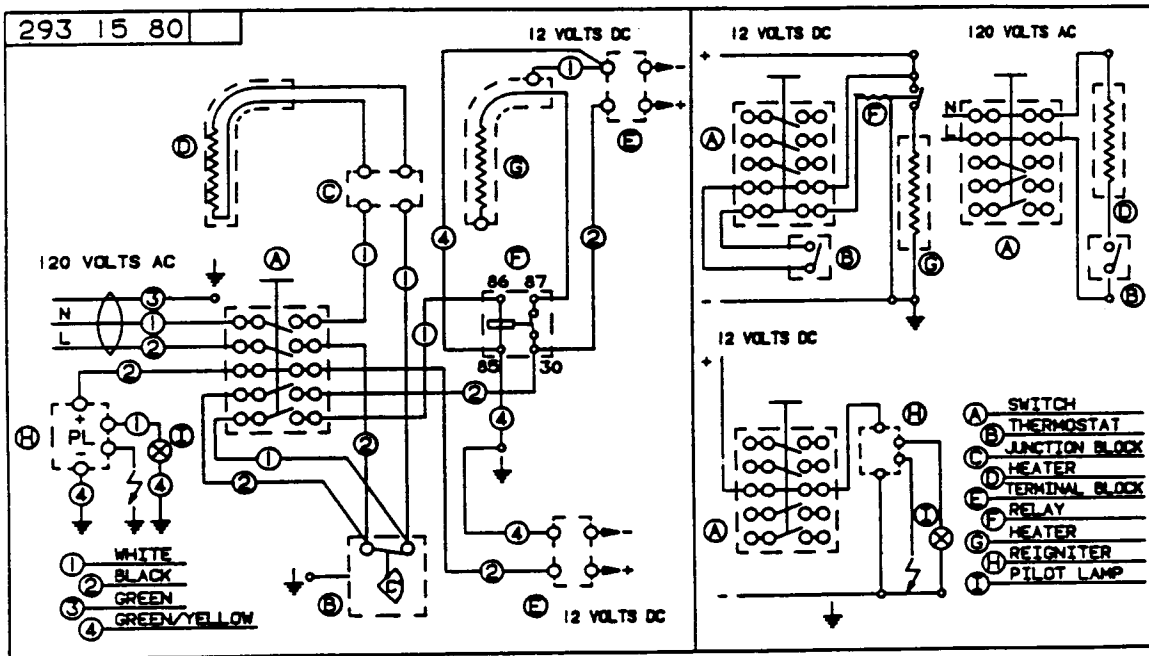
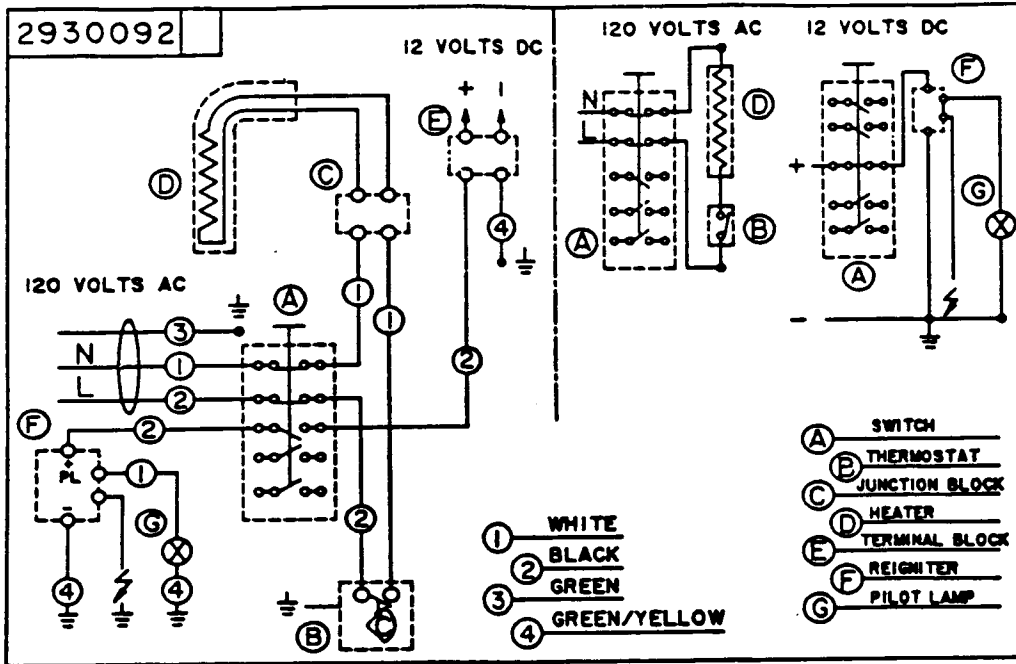


MODEL RM2610 WIRING DIAGRAMS



PRODUCT NO.	MODEL	MARKET	VOLTAGE	WIRING DIAGRAM
921980101	FM2610	US, CA	120 V	293009200
921980201	FM2610	US, CA	12V, 220V	293158000