

110V for
RM36C, RM46, RM47
RM66, RM67, RM76, RM77

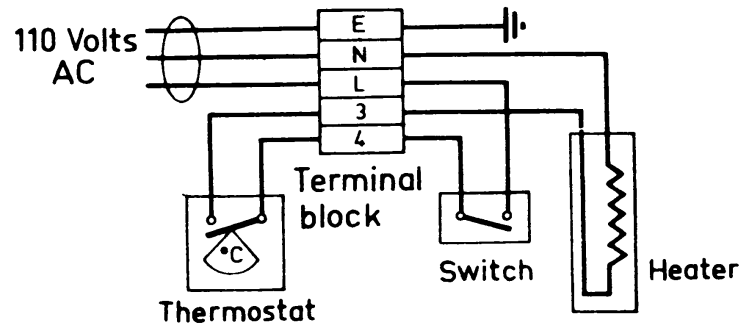


Fig. 65