

Spark Plug Usage

Application	Specification	
	Metric	English
Spark Plug	Refer to Maintenance Items in Maintenance and Lubrication.	
Spark Plug Gap	15.24 mm	0.60 in

Spark Plug Wire Resistance

Tools Required

J 39200

1. Disconnect both ends of each spark plug wire you are testing.
Ensure that the wire terminals are clean before proceeding.

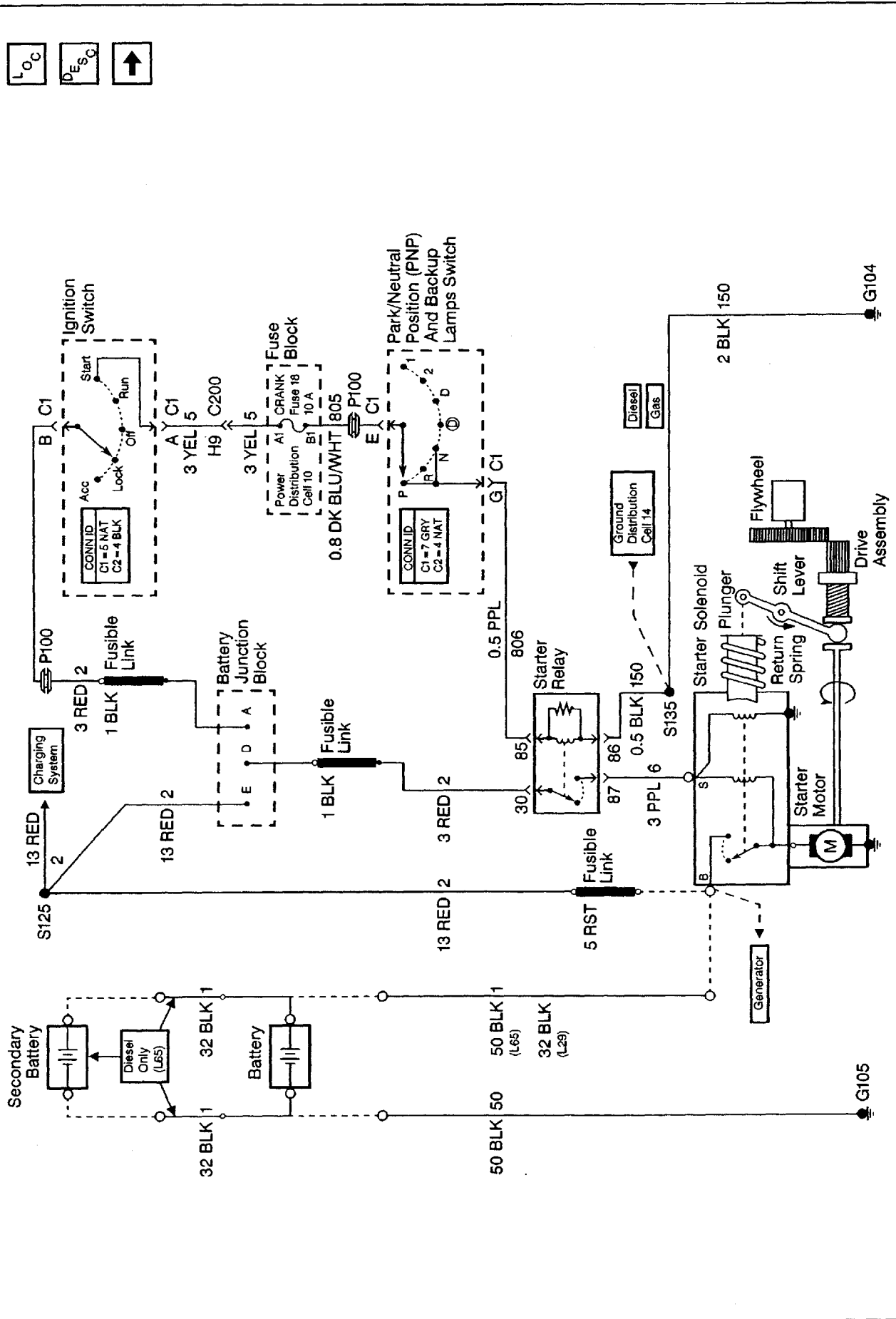
2. Use the *J 39200*
3. Connect an ohmmeter lead to each end of the wire.
4. Gently twist the wire while watching the ohmmeter reading.
5. If the ohmmeter reads above 30,000 ohms, no matter how long the wire is, or fluctuates from infinity to any value, replace the wire.

Schematic and Routing Diagrams

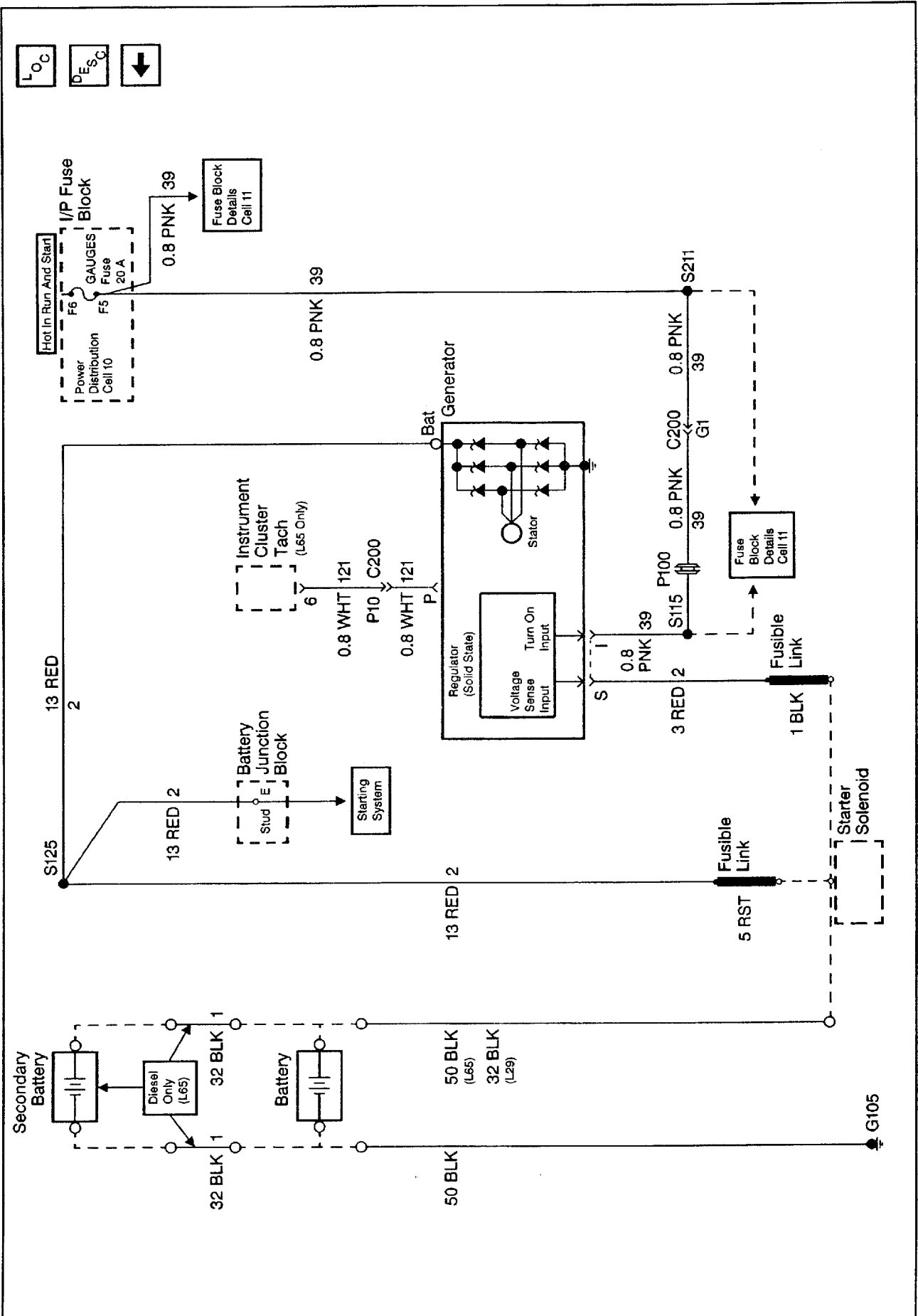
Engine Electrical Schematic References

Reference on Schematic	Section Number - Subsection Name
Fuse Block Details Cell 11	8 — Wiring Systems
Ground Distribution Cell 14	8 — Wiring Systems
Power Distribution Cell 10	8 — Wiring Systems

Starting and Charging Schematics (Motorhome) (Starting System)



Starting and Charging Schematics (Motorhome) (Charging System)



387942

Starting and Charging Schematics (Commercial) (Starting System)

